

Instructions for Use: Pink Pad[®] – One-Step

1. Place The Pink Pad at the very edge of the main table segment, nearest the perineal cutout; positioning the white hook & loop straps on the underside of The Pink Pad in direct contact with the table pad surface (*Figure 1*). **IMPORTANT: DO NOT** use any table covers, linens, other transfer devices or materials between The Pink Pad and the surface of the surgical table. The Pink Pad must contact the surface of the table pad. “This Side Up” tags should be facing upward.

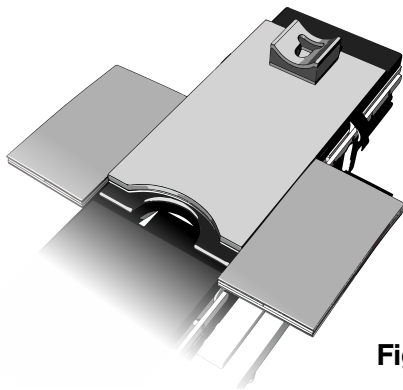


Figure 1

2. Align the patient with the perineal cutout (*Figure 2*).
3. After intubating the patient, adjust patient and pad to the desired position **IMPORTANT - THE PATIENT'S SKIN MUST MAKE DIRECT CONTACT WITH THE PINK PAD.** The skin of the scapula Region and Sacrum must contact the pad surface. Do not drag the patient on the Pink Pad. **IMPORTANT - TO ADJUST THE PATIENT AND PAD, LIFT STRAIGHT UP ON THE PINK PAD'S BLACK POSITIONING STRAPS, ONCE THE TENSION BETWEEN THE PAD AND TABLE IS BROKEN, THE PATIENT CAN BE SAFELY REPOSITIONED. DO NOT ATTEMPT TO DRAG THE PAD UNDER THE FULL WEIGHT OF THE PATIENT.**

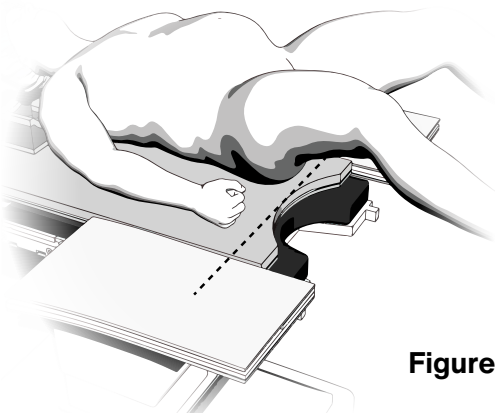


Figure 2

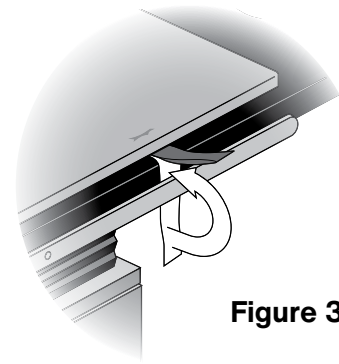
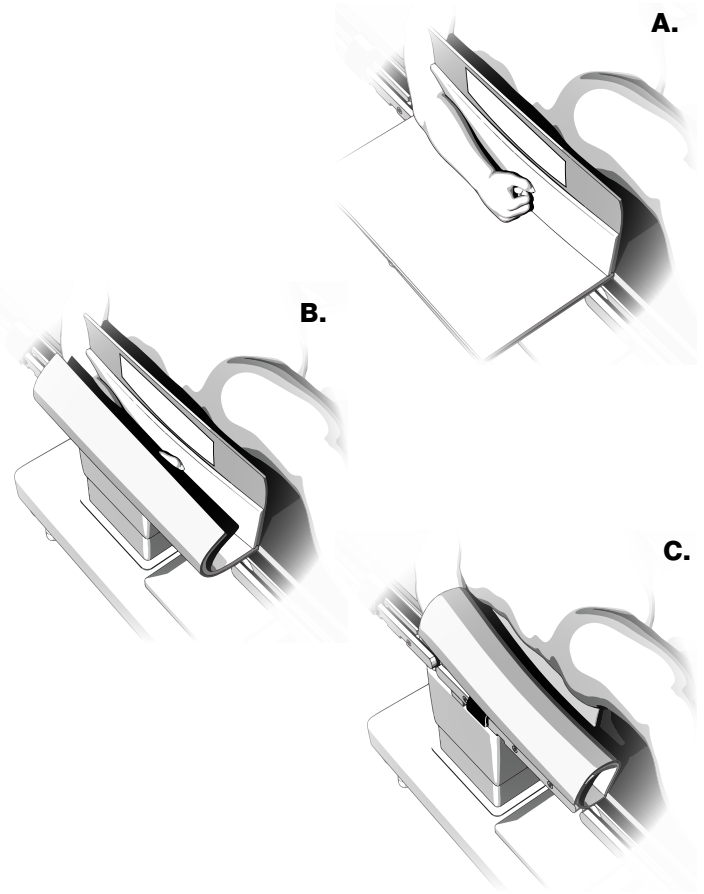


Figure 3

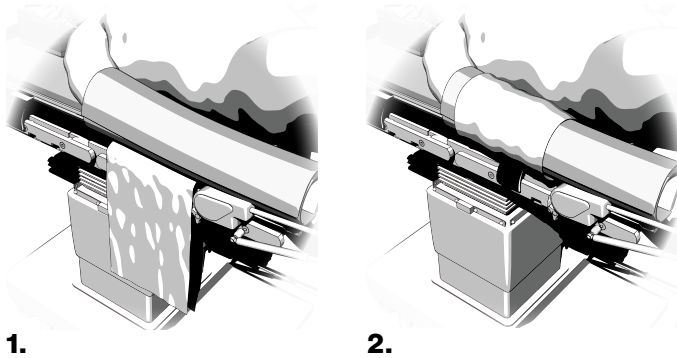
4. Attach the white hook & loop straps of the Pink Pad to the surgical table rails by looping under the rail, as shown, and affixing the ends of the hook & loop to each other.
5. Wrap the patient's arms as follows (*Figure 4*):
 - A. Place arm on top of the lower flap as shown.
 - B. Wrap the lower flap over the arm.
 - C. Wrap the upper flap over the lower flap, securing tightly with the hook strap.

Figure 4



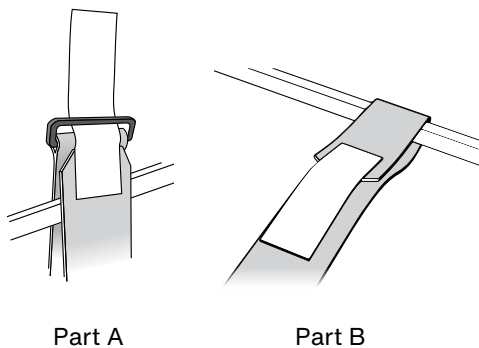
6. Tuck in attached lift sheet for additional arm security (*Figure 5*).

Figure 5



7. Attach the body strap (*Figure 6*) as follows:
 - a. Beginning with *Part A*, orient the strap so that the white hook material is facing outward. Feed the strap through the buckle until it is snug to the accessory rail and lay over the patient.
 - b. Continuing with *Part B*, draw the end of the strap up between the table and the accessory rail, ensuring that the long white hook material is facing inward. Press the white hook material together to secure in place.

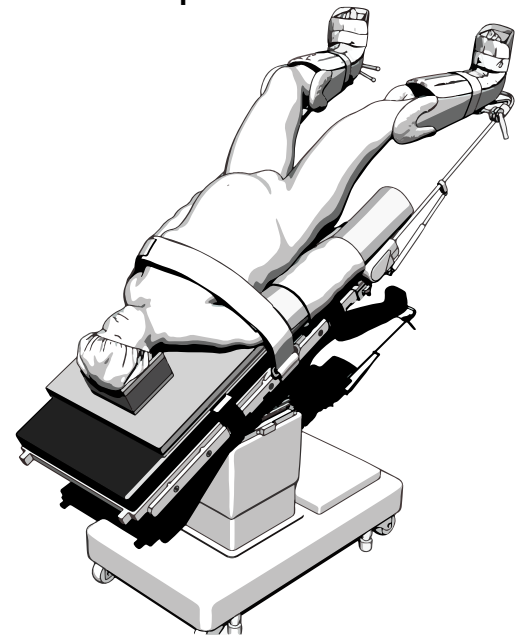
Figure 6



ATTENTION:

1. Before using The Pink Pad, ensure that the O.R. table pad is securely affixed to the O.R. table, and is clean and free of residue.
2. Make sure the white straps are not affixed to the table rails prior to positioning and moving a patient.
3. Be sure to follow your facility's policies and guidelines for frequency of patient monitoring. Check skin for integrity and proper circulation. Product is to be used by licensed medical professionals only.
4. Care should be taken to safeguard The Pink Pad from exposure to prep solutions.
5. Handling & Storage: During ALL handling and storage, assure that the pad is flat. Do not roll or fold the pad.

Final Setup



702 Prominence Drive
Pittsburgh, PA 15068 U.S.A.

Tel: 724.337.5500
Fax: 724.337.0555



Patents in the
United States

8,464,720; 8,511,314; 9,161,876;
9,750,656; 9,782,287; 9,931,262;
9,949,863; 10,045,902; 10,285,890;
10,324,050;

xodusmedical.com
info@xodusmedical.com

FDA REGISTERED
ISO 13485 CERTIFIED



xodusmedical.com/eifu

LITIFUPP081 R0 9/15/2022