

FIGURE 1

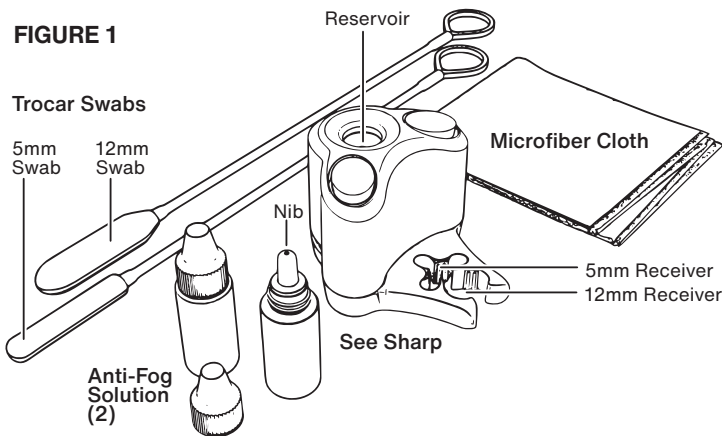


FIGURE 2

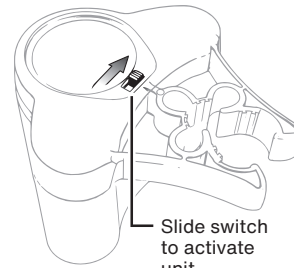
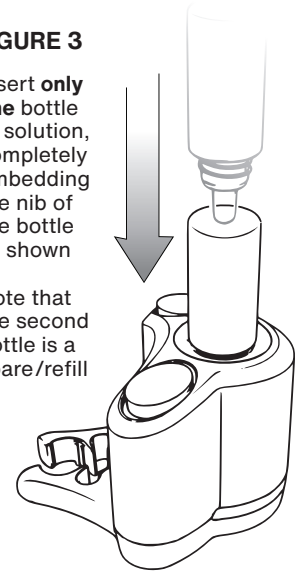


FIGURE 3

Insert **only one** bottle of solution, completely embedding the nib of the bottle as shown

Note that the second bottle is a spare/refill

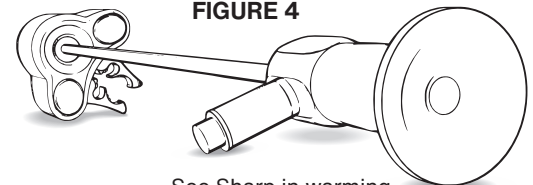


PREPARATION

1. Peel the label from the package and remove the contents (*figure 1*) which include: one (1) See Sharp™ unit, one (1) microfiber cloth, one (1) 5mm trocar swab, one (1) 12mm trocar swab, two (2) bottles of anti-fog solution.
2. Invert the See Sharp unit and activate the switch (*figure 2*) on the underside of See Sharp. The unit will emit a blue light indicating a “powered on” status which will last up to 5 hours.
3. Place the See Sharp unit on a level surface.
4. Remove the lid from one (1) of the bottles of anti-fog solution.
5. Completely insert the open nib of the anti-fog solution bottle into the reservoir opening of the See Sharp unit. (*figure 3*)
6. Squeeze the sides of the anti-fog solution bottle, emptying all solution into the reservoir and discard the empty bottle. **Note that the reservoir capacity is one bottle.** The second bottle is a reserve supply.
7. Allow five (5) minutes for See Sharp to reach optimal temperature.
8. Once the unit is warmed, insert the lens of the laparoscope into the opening of the See Sharp reservoir to the full depth of the reservoir to initiate scope warming. Note that the See Sharp may be placed on its side to facilitate scope warming on the back table. Allow five (5) minutes to complete initial laparoscope warming. (*figure 4*)

NOTE: To diminish fogging risk, limit the duration of laparoscope exposure to open OR environment.

FIGURE 4



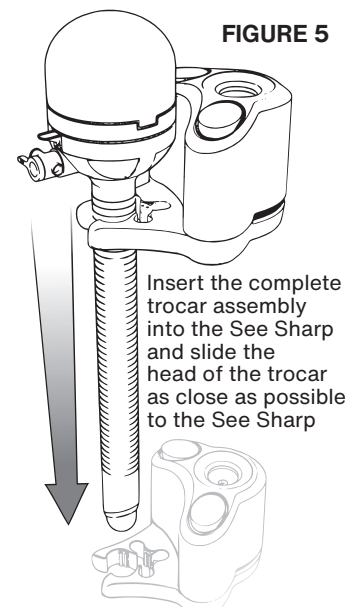
See Sharp in warming configuration on back table

TROCAR ATTACHMENT - METHOD 1

While the See Sharp may be used on the back table, it was designed to attach to a trocar — either the camera’s trocar or another within the sterile field as per operator preference. Follow these steps to attach the See Sharp to a trocar:

1. Upon completing the warming phase, remove laparoscope from the See Sharp and wipe away any residual cleaning/defogging solution with the included microfiber cloth.
2. Identify the connection diameter on the See Sharp attachment clip appropriate for your trocar — the outer opening is for 12mm trocars, the inner opening is for 5mm trocars.
3. Slide the complete trocar (cannula with obturator) into the appropriate receiver (5mm or 12mm) of the See Sharp clip, drawing the see sharp close to the head of the trocar.as possible. (*figure 5*)
4. Insert the **combined trocar-See Sharp** into the patient.

FIGURE 5



Insert the complete trocar assembly into the See Sharp and slide the head of the trocar as close as possible to the See Sharp

Then insert into the patient

TROCAR ATTACHMENT - METHOD 2

1. Upon completing the warming phase, remove laparoscope from the See Sharp and wipe away any residual cleaning/defogging solution with the included microfiber cloth.
2. Identify the connection diameter on the See Sharp attachment clip appropriate for your trocar – the outer opening is for 12mm trocars, the inner opening is for 5mm trocars.
3. Align the See Sharp to the trocar as pictured (*figure 6*) so that the shaft of the trocar is centered and in contact with the tangs of the See Sharp's attachment clip and the See Sharp is angled at approximately 45° as shown.
4. Gently apply inward pressure while rocking the unit upward onto the trocar.
5. The See Sharp will snap into place on the shaft of the trocar. You may adjust the vertical position of the See Sharp on the trocar as needed. Assume that the See Sharp is as close as possible to the top of the trocar. You are now ready to use the See Sharp.

LAPAROSCOPE CLEANING & DEFOGGING

Follow these steps to restore optimal visibility to a fogged or soiled laparoscope.

1. Remove the laparoscope from the trocar and wipe away any heavy surgical debris with the included microfiber cloth.
2. Gently insert the tip of the laparoscope into the See Sharp to the full depth of the reservoir. The bottom of the reservoir is lined with a scratch-free double layer of sponge to cushion and protect the lens of the laparoscope.
3. Agitate the laparoscope with a rotary motion within the reservoir of the See Sharp. (*figure 7*)
4. Remove the laparoscope and tap the tip lightly on one of the sponges located atop the See Sharp to dissipate any excess cleaning solution.
5. Use the appropriately-sized (5 or 12 mm) trocar swab to remove any debris from within the shaft of the trocar by inserting the sponge into the trocar and swabbing in and out to ensure clean laparoscope reintroduction.

DISPOSAL

The See Sharp may be discarded with the single use trocar. On reusable devices, simply slide See Sharp off the end of the trocar.

FIGURE 6 Approach trocar with See Sharp rotated to approximately 45° while applying inward pressure

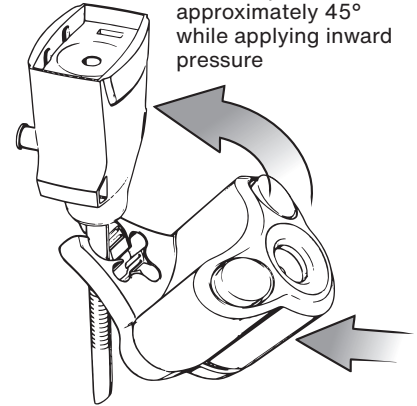
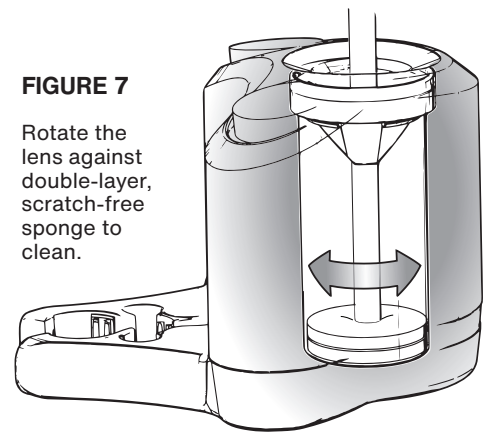


FIGURE 7

Rotate the lens against double-layer, scratch-free sponge to clean.



US Patent 10,080,488
Additional patents pending

XODUS MEDICAL
Making Surgery Safer™



702 Prominence Drive Tel: 724.337.5500
Pittsburgh, PA 15068 U.S.A. Fax: 724.337.0555

xodusmedical.com | info@xodusmedical.com



MADE IN THE
USA



EC REP

FDA REGISTERED
ISO 13485 CERTIFIED

EMERGO EUROPE
Prinsessegracht 20
2514 AP The Hague
The Netherlands

LITIFUSA001 R8 8/4/19