



**XODUS MEDICAL**  
Making Surgery Safer™

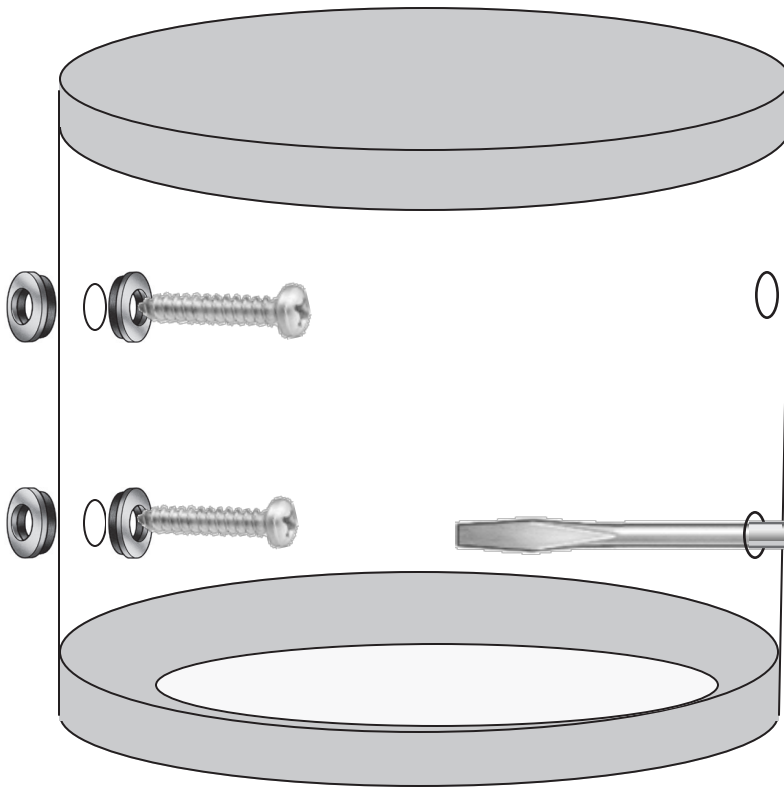
www.xodusmedical.com

702 Prominence Drive New Kensington, PA 15068

T: 724-337-5500 F: 724-337-0555

## EMESIS BAG DISPENSER WALL MOUNT INSTRUCTIONS

WALL



1. Place screw through a washer with metal side on top.
2. Place neoprene side of washer against plastic and push screw through one of the smaller holes in the plastic dispenser from the inside.
3. Place another washer on the tip of the screw protruding from the other side with the neoprene side of washer against the plastic dispenser.
4. Place the assembly against the wall in the area to be attached to.
5. Screw into the wall.
6. Repeat with the second set of washers and screw.



LITIFUEB001 R4 3/26/18



**XODUS MEDICAL**  
Making Surgery Safer™

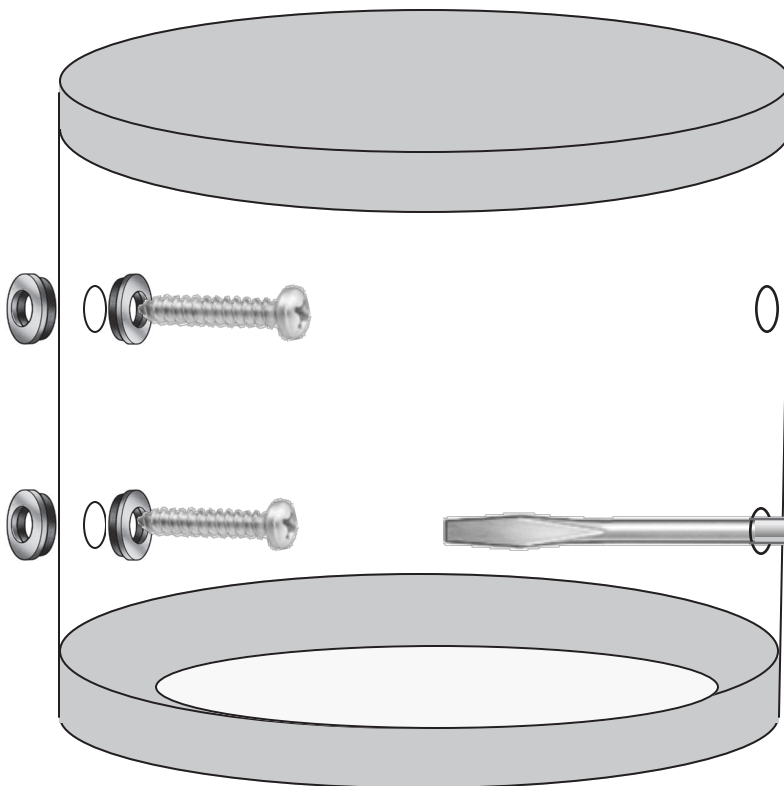
www.xodusmedical.com

702 Prominence Drive New Kensington, PA 15068

T: 724-337-5500 F: 724-337-0555

## EMESIS BAG DISPENSER WALL MOUNT INSTRUCTIONS

WALL



1. Place screw through a washer with metal side on top.
2. Place neoprene side of washer against plastic and push screw through one of the smaller holes in the plastic dispenser from the inside.
3. Place another washer on the tip of the screw protruding from the other side with the neoprene side of washer against the plastic dispenser.
4. Place the assembly against the wall in the area to be attached to.
5. Screw into the wall.



LITIFUEB001 R4 3/26/18