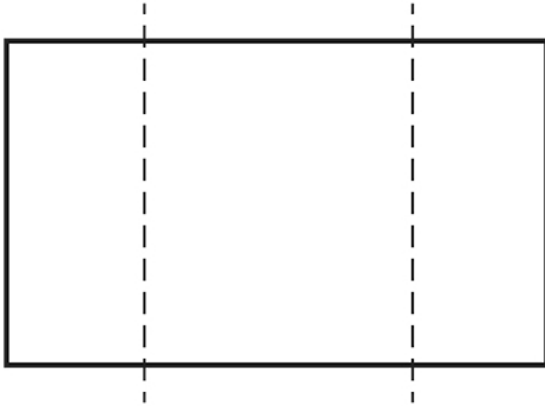
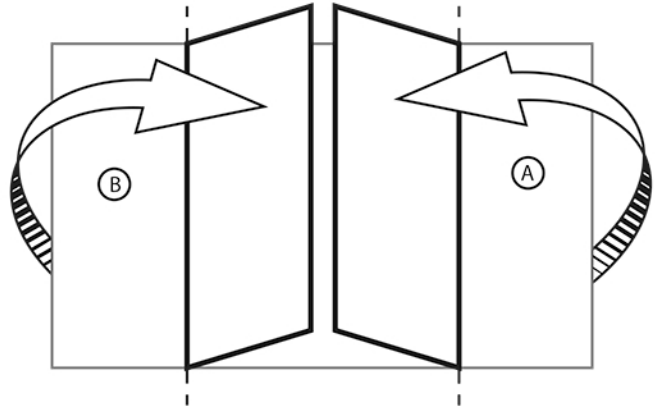




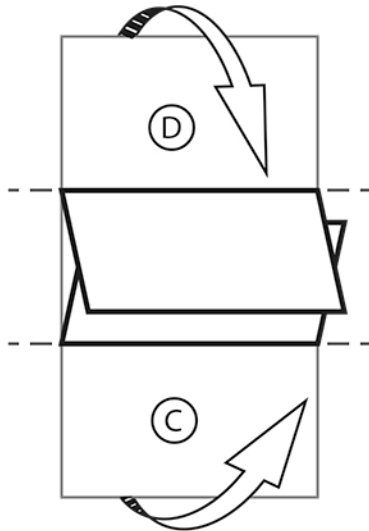
# Instructions for Use Camel Mat™ Disposal



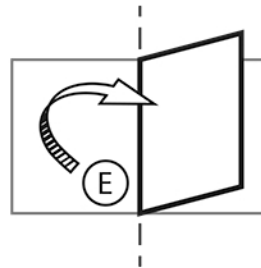
1. Start with non-slip surface down - absorbent side down



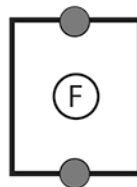
2. Fold lengths into thirds so that the two ends meet in the middle



3. Along other axis, fold into thirds so that the flaps overlap each other



4. Fold in half



5. Place hands where circles are, and carry flat to dispose of Camel Mat™



ISO 13485 CERTIFIED  
FDA REGISTERED



**EMERGO EUROPE**  
Prinsessegracht 20  
2514 AP The Hague  
The Netherlands

Pittsburgh, PA USA • Tel: 724-337-5500  
Fax: 724-337-0555

[xodusmedical.com](http://xodusmedical.com)  
[info@xodusmedical.com](mailto:info@xodusmedical.com)



LITIFUCM001 R3 03/27/18