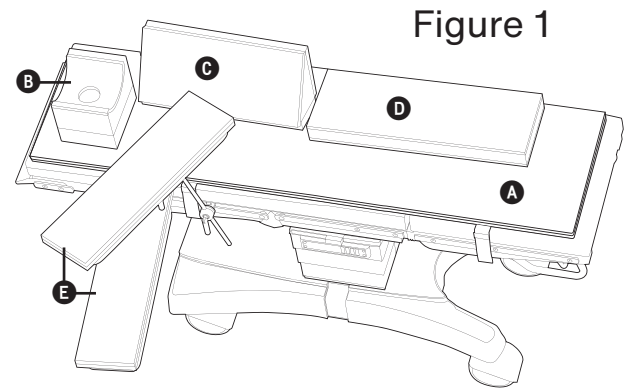


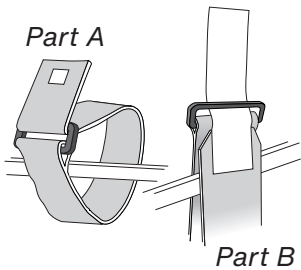
# INSTRUCTIONS FOR USE: STANDARD PINK LAT PACK™

*Kit may not include all items*



- A** Pink Pad EXT™
- B** Adjustable Lateral Headrest
- C** Multi-Angle Body Wedge
- D** Intra Leg Positioner
- E** Armboard Pads with DermaProx™

1. Make sure the O.R. table is level and in position. Lay down Pink Pad® EXT on the entire O.R. table and attach the Pink Pad® EXT to the O.R. table according to the Pink Pad® EXT Instructions For Use. (figure 1)
2. Lay Adjustable Lateral Headrest on O.R. table relative to where the patient's head will lay. The hole in the headrest is where the patient's ear should end up. The taller part of the headrest should encompass the back of the patient's head. (figure 1)
3. Begin positioning the patient on their side. Tear away perforated part of the headrest as needed.
4. Put Multi-Angle Body Wedge behind the patient so that the wedge supports the patient's back while in lateral position. Use the 35° 55° or 90° angle depending upon the surgeon's preference. (figure 2)
5. Place the patient's down arm on the Armboard Pad with DermaProx™ on top of the armboard with their palms facing up. Attach each arm board strap to the armboard and patient's arm between patient's wrist and elbow. Depending on the table set up, place the patient's up arm on the Armboard Pad with DermaProx™ on top of the limb holder. (figure 2)
6. Lay Intra Leg Positioner on top of the patient's bent leg so that it lays in between the patient's legs; ensuring the knees and thighs do not rub against one another. (figure 2)
7. Use remaining body straps to secure the patient at locations the surgeon prefers or per hospital protocol. Attached body straps by following the steps below:



- A. Secure both portions of the two-part body strap to the accessory rails.
- B. Identify each portion of the strap – Part A has a small Velcro square and Part B has a long Velcro tab. (illustration to left)
- C. Beginning with Part A, orient the strap so that the small Velcro square is facing outward, away from the table. Draw the end of the belt up between the table and the accessory rail and lay the free end over the table.
- D. Repeat the procedure with Part B of the strap on the other side of the table, ensuring that the hook side of the long Velcro tab is facing inward toward the pad
- E. Join straps together with the long Velcro tab of Part B on top of Part A.

8. If applicable, jackknife/tilt table to desired position and begin procedure.

## ATTENTION:

1. Before using The Pink Lat Pack™, ensure that the O.R. table pad is securely affixed to the O.R. table and is clean and free of residue.
2. Be sure to follow your facility's policies and guidelines for frequency of patient monitoring. Check skin for integrity and proper circulation. Product is to be used by licensed medical professionals only.
3. Care should be taken to safeguard The Pink Lat Pack™ from exposure to prep solutions.
4. Handling & Storage: During ALL handling and storage, assure that the pad is flat. Do not roll or fold the pad.

