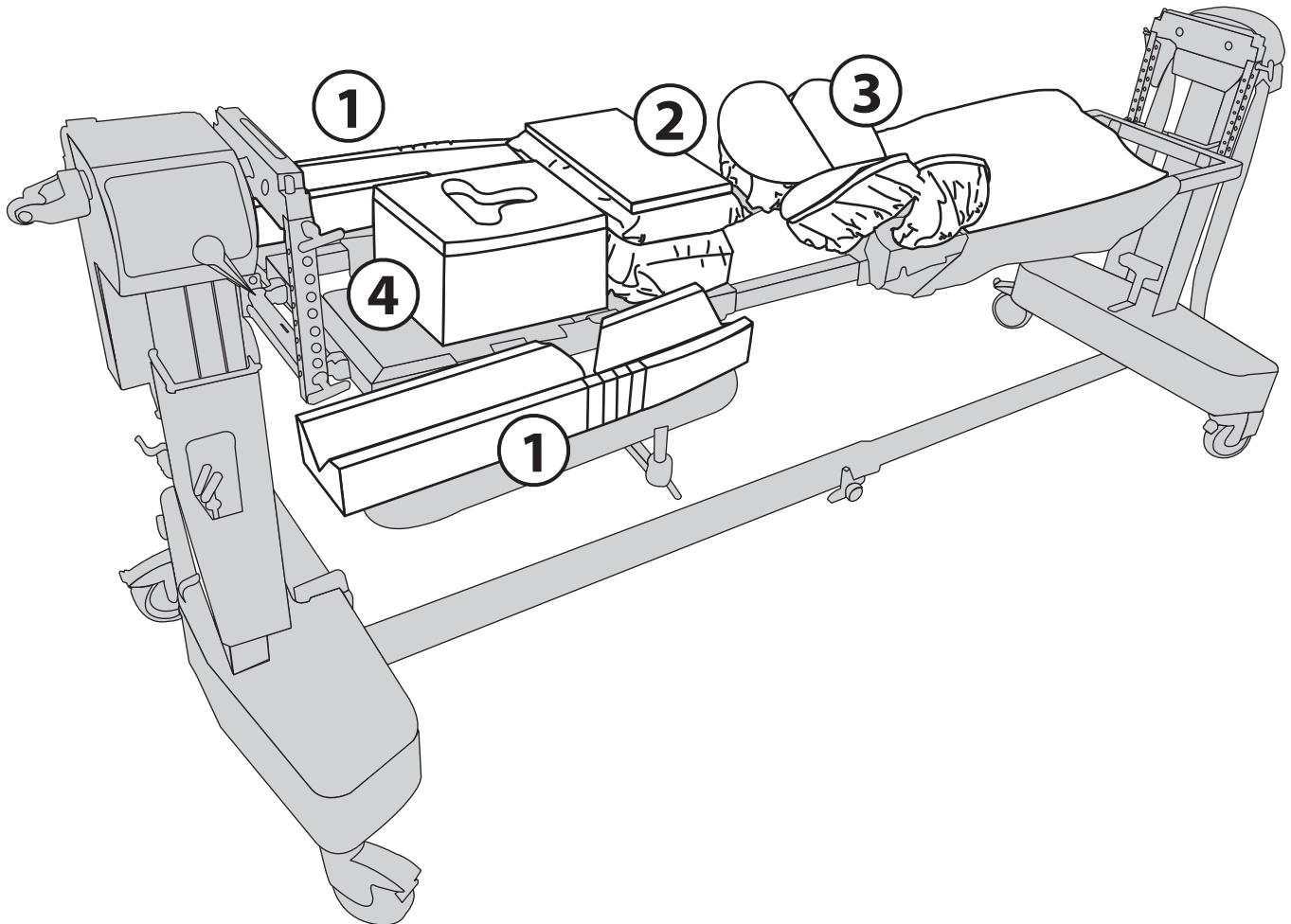


IFU: JACKSON FRAME

(kit may not contain all products listed below)

- ① Place arm cradle on corresponding arm board (left & right) pad, making sure cutouts are facing inward for support of the entire arm.
- ② Place torso lift cover securely over the chest pad. If using DermaProx covers, make sure DermaProx layer is facing upward for direct skin contact.
- ③ Place hip/thigh covers securely over the four hip and thigh pads. If using DermaProx make sure DermaProx layer is facing upwards for direct skin contact.
- ④ Center head rest on head support board and make sure head rest oval eye opening is oriented correctly at the top of the table with DermaProx layer facing upward.



ISO 13485 CERTIFIED
FDA REGISTERED

LITIFUJF001 R1 3/27/18

Pittsburgh, PA USA • Tel: 724-337-5500
Fax: 724-337-0555

xodusmedical.com
info@xodusmedical.com



MADE IN THE
USA

