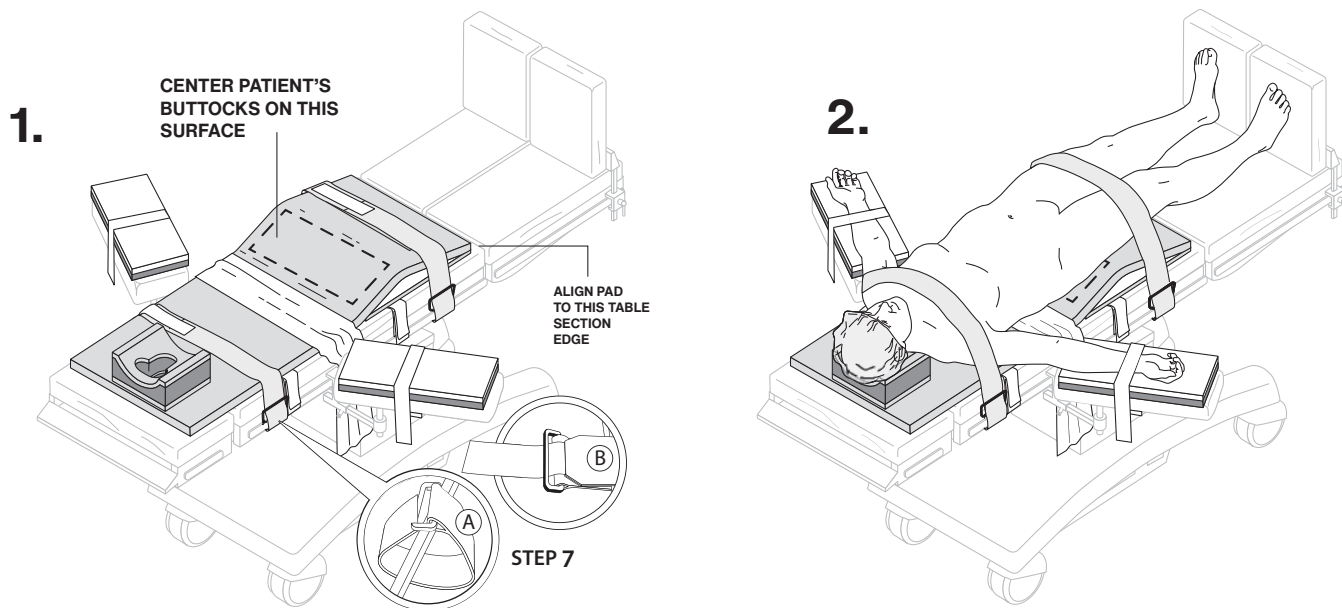


# INSTRUCTIONS FOR USE: The Pink® Reverse Trendelenburg Kit®



1. Start with table flat and without incline, then place The Pink® Reverse T Pad at the very edge of the middle table segment, positioning the white Velcro straps on the underside of The Pink® Reverse T Pad.  
**IMPORTANT: DO NOT use any table covers, linens, other transfer devices or materials between The Pink® Reverse T Pad and surface of the surgical table.** The Pink® Reverse T Pad must contact the surface of the table pad. The "This Side Up" tags should be facing upward.
2. Attach the white Velcro straps of The Pink® Reverse T Pad to the surgical bed rails by looping under the rail, and affixing the ends of the Velcro to each other.
3. Lay the lift sheet over the pad, centered between the Velcro straps as shown. The lift sheet should cover only the portion of the pad that will be addressing the small of the patient's back- below the Scapula Region and above the Sacrum.
4. Follow hospital protocol for intubation. Then properly position patient's buttocks on the front side of the bump as seen in diagram 1.  
**IMPORTANT: THE PATIENT'S SKIN MUST MAKE DIRECT CONTACT WITH THE PAD.**  
Utilize the included lift sheet to carefully lift the patient up and off the pad to reposition as needed. Do not drag patient on pad. Make sure pad remains completely flat at all times.
5. Lay each arm board pad with DermaProx™ over each arm board. Position patient's arm so that the elbow and wrist rest comfortably on top of arm board pad with DermaProx™.
6. Attach the arm board strap by wrapping it around both the arm board, arm board pad and patient's arm and looping the end of the strap through. **OPTIONAL ACCESSORY:** Please see reverse side for instructions on how to properly use the One-Step Arm Protectors. **IMPORTANT: NOT ALL KITS COME WITH ARM PROTECTORS.**
7. Attach the body strap as follows:
  - A. Place the strap component with the small Velcro square around the table's accessory rail and through strap buckle.
  - B. Repeat the above step on the other side of the table with the remaining strap component with the Velcro's hook side facing downward. Join the straps together.
8. Add incline to table and safely position patient into Reverse Trendelenburg.

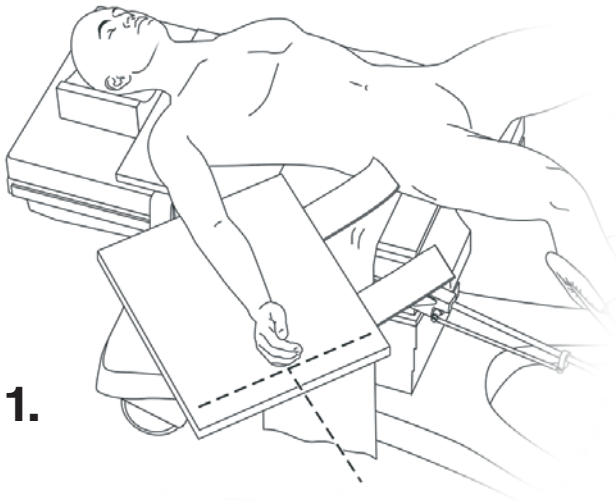
## **ATTENTION**

1. Before using The Pink® Reverse T Pad, ensure that the O.R. table pad is securely affixed to the O.R. table and is clean and free of residue.
2. Be sure to follow your facility's policies and guidelines for frequency of patient monitoring. Check for skin integrity and proper circulation. Product is to be used by a licensed medical professional only.
3. Care should be taken to safeguard The Pink Pad from exposure to prep solutions.
4. Handling & Storage: During ALL handling and storage, assure that the pad is flat. Do not roll or fold the pad.

OPTIONAL ACCESSORY FOR PINK REVERSE T KIT

## One-Step Arm Protectors

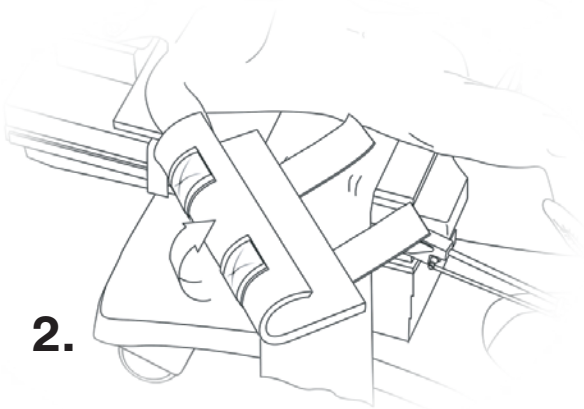
### Instructions for Use



1. Place the One-Step™ Arm Protector beneath the patient's arm, centering the arm protector laterally with straps facing down and inward toward the patient's torso.

The pad should extend above the elbow and just below the fingertips. The hand should be positioned in a natural anatomical position with the palms facing inward so as not to impinge upon the ulnar nerve.

The One-Step™ Arm Protector will protect the arm, ulnar nerve and fingers while permitting easy access to the fingers and IV site. It will also safeguard against tissue breakdown.

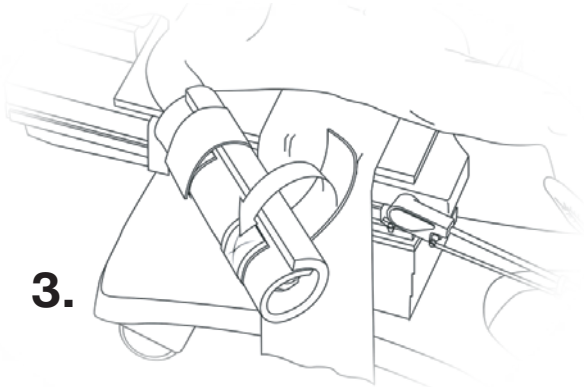


2. Wrap the outer portion of the protector over the arm.

3. Next, wrap the remaining portion of the arm protector over the arm and secure the straps to the corresponding Velcro™ patches as shown. Ensure that the One-Step™ Arm Protector is firmly wrapped around the patient's arm.

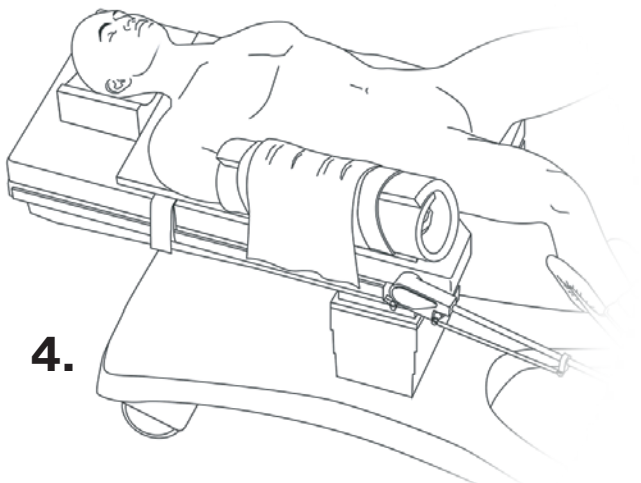
At this stage, check for proper alignment of the wrist and fingers. Also, inspect pulse oximeters, IV lines, etc. to ensure proper placement. Accessing these patient monitors is simple and repeatable.

Repeat steps 1-3 for the remaining arm.



4. Once the One-Step™ Arm Protectors are in place, wrap the lift sheet per hospital protocol, tucking it between the patient and The Pink® Reverse T pad.

Tucking methods vary according to hospital protocol. The lift sheet can be tucked either beneath the patient or beneath the O.R. table mattress. Lift sheets should not be tucked between The Pink® Reverse T Pad and the O.R. table mattress.



LITIFUPP013 R2 5/27/2021

**XODUS MEDICAL**  
Making Surgery Safer™

702 Prominence Drive  
Pittsburgh, PA 15068 U.S.A. Tel: 724.337.5500  
Fax: 724.337.0555

xodusmedical.com | info@xodusmedical.com

