

ComfortFit™ ProneSafe Head Rest - Instructions for Use #40766

1. Verify the packaging and/or product is not damaged in any way.
2. Remove the ComfortFit ProneSafe Head Rest from its outer packaging and, to assure proper expansion, let rest for 5 minutes prior to use.
3. Identify the bottom side of the product that contains the printed information “THIS SIDE DOWN.” (Figure 1)
4. Insert the product into the chassis with “THIS SIDE DOWN” facing downward and the white DermaProx layer facing up. Be sure to properly align the ComfortFit alignment tabs with the corresponding holes in the face mask chassis. (Figure 2)
5. Position the patient with their head facing downward into the DermaProx lined side of the ComfortFit ProneSafe Head Rest.
6. Be sure to follow proper hospital protocol regarding the positioning of the patient’s neck, face, and eyes on the ComfortFit ProneSafe Head Rest.
7. Frequently check the patient’s eyes and face to ensure they are in a safe position and nothing is in contact with the patient’s eyes or eyelids.

Figure 1

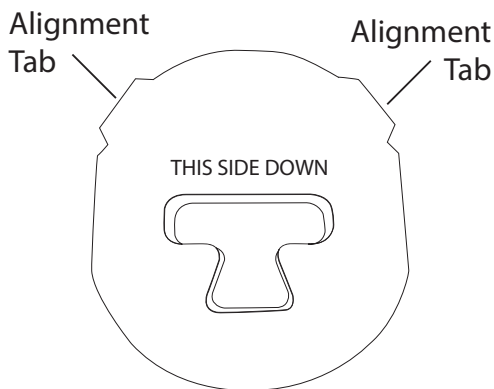
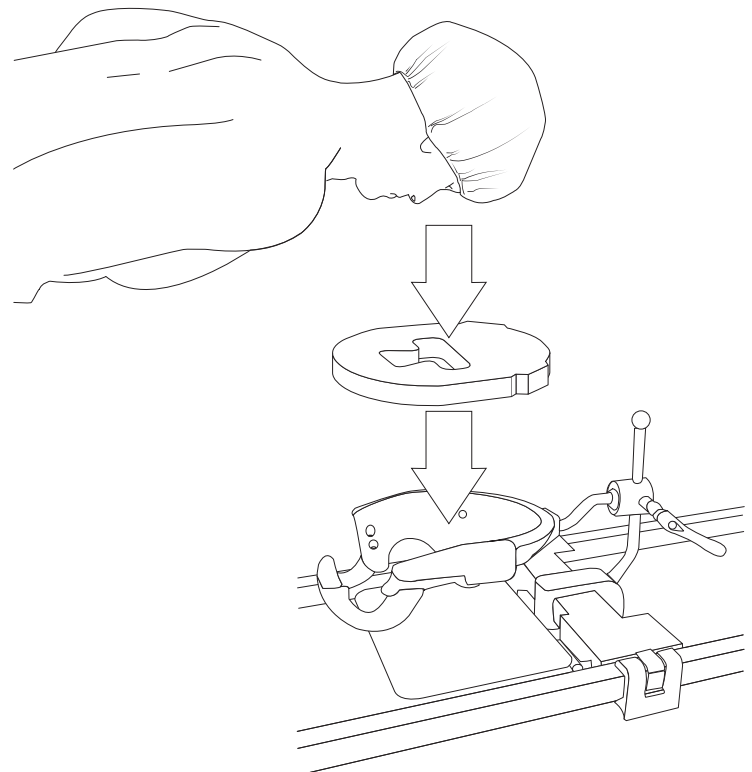


Figure 2



702 Prominence Drive
Pittsburgh, PA 15068 U.S.A.

Tel: 724.337.5500
Fax: 724.337.0555



xodusmedical.com
info@xodusmedical.com



FDA REGISTERED
ISO 13485 CERTIFIED



EMERGO EUROPE
Prinsessegracht 20
2514 AP The Hague
The Netherlands