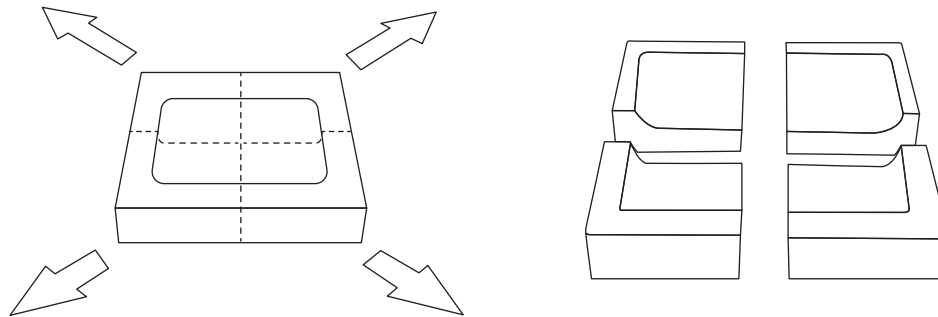


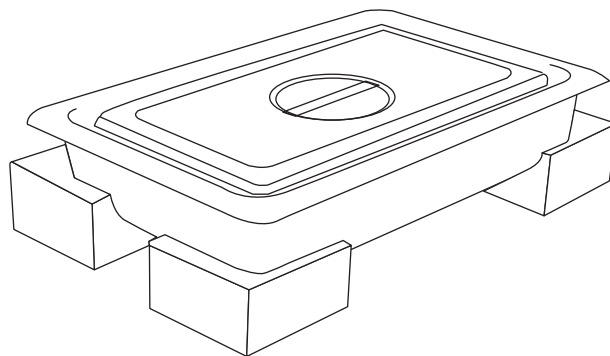
Reticulated Surgical Tray Corner Protectors

Instructions for Use:

1. Split sheet into 4 pieces.



2. Place Corner Protectors at the bottom of the four corners of the tray before wrapping with sterilization wrap. Once in place, wrap the tray according to standard wrapping procedures.



3. The corner protectors can be sterilized according to hospital parameters, and the corner protectors are compatible with steam and Ethylene Oxide (ETO) sterilization processes. Once this process is done, the corner protectors and tray surface under the corner protector will be sterile.
4. The corner protectors are designed for one time use and should be disposed of after use. There are no special disposal instructions.



XODUS MEDICAL
Making Surgery Safer™

702 Prominence Drive
Pittsburgh, PA 15068 U.S.A.

Tel: 724.337.5500
Fax: 724.337.0555

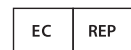


xodusmedical.com
info@xodusmedical.com

MADE IN THE
USA



FDA REGISTERED
ISO 13485 CERTIFIED



EMERGO EUROPE
Prinsessegracht 20
2514 AP The Hague
The Netherlands