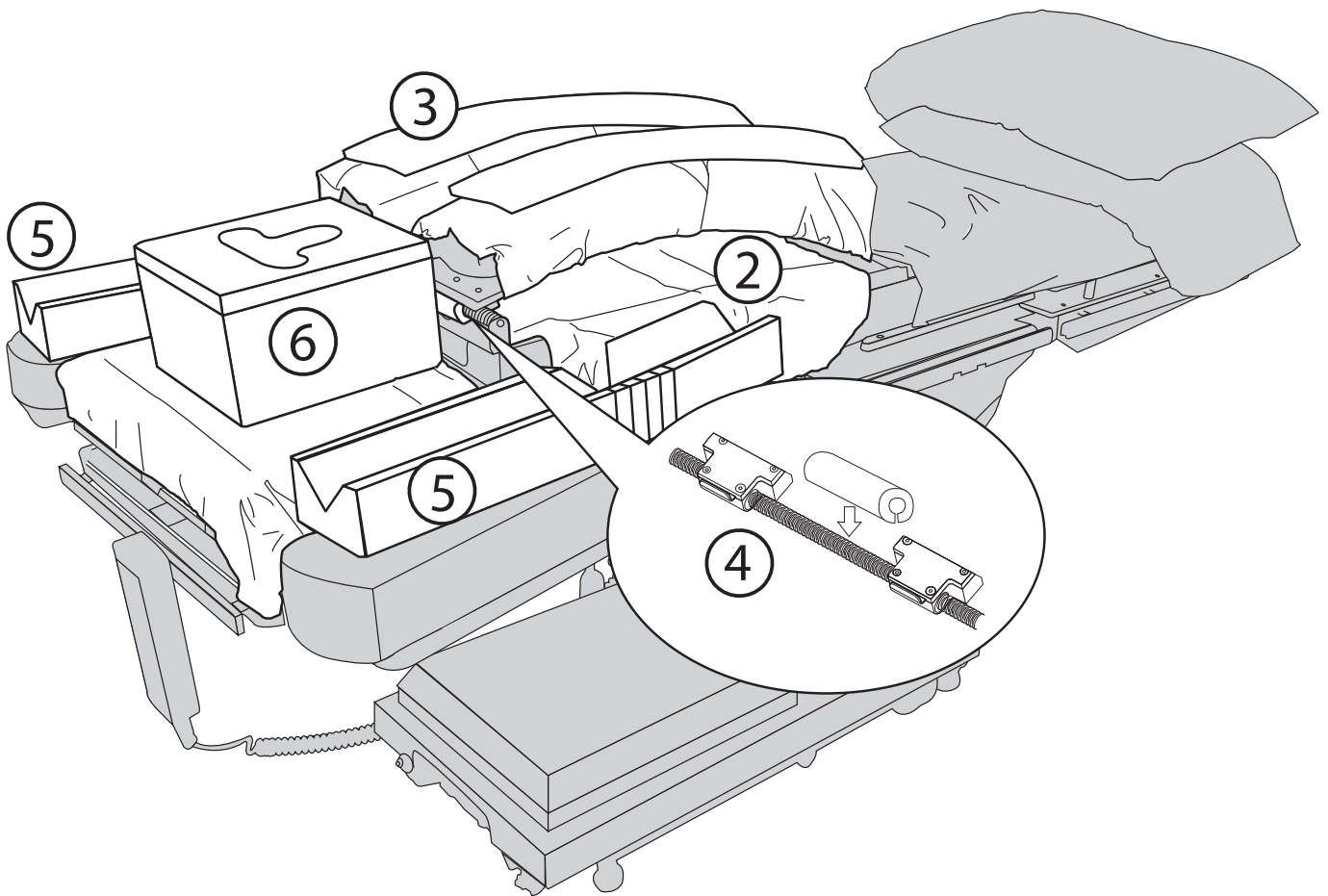


# INSTRUCTIONS FOR USE: Wilson Frame™

1. Raise the torso pads
2. Place drape cover under the torso pads. Make sure drape is flat and even on both sides of the table. Use the adhesive tabs to secure the drape to the frame.
3. Slide torso pad sleeve covers over each pad, covering the entire pad. Then return torso pads to their normal position. Have DermaProx layer is facing upward for direct skin contact.
4. Slide traverse bar cover over transverse bar. Observe the slit opening in the cover and place it over the bar.
5. Place each arm cradle on corresponding arm board ( left and right ) making sure cut outs are facing outward for support of the arm.
6. Center head rest on head support board and make sure head rest oval eye opening is oriented correctlt at the top of the table with DermaProx layer facing upward.



LITIFUWF001 R2 5/24/2021



702 Prominence Drive  
Pittsburgh, PA 15068 U.S.A.

Tel: 724.337.5500  
Fax: 724.337.0555



xodusmedical.com  
info@xodusmedical.com

FDA REGISTERED  
ISO 13485 CERTIFIED



xodusmedical.com/eifu

EMERGO EUROPE  
Prinsessegracht 20  
2514 AP The Hague  
The Netherlands